

GHH-JS Recessed Pull

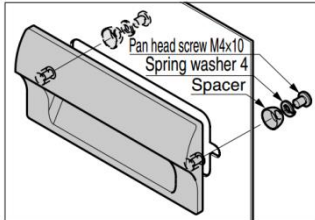
Features

- Screw mount installation

Parts Included

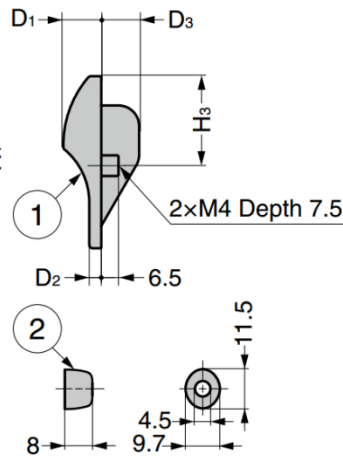
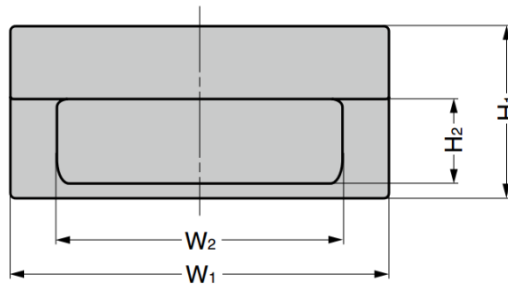
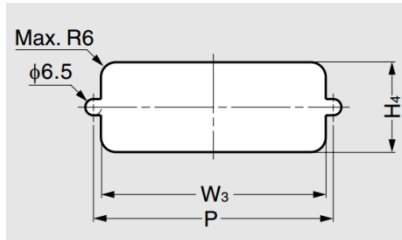
- Pan head screw M4×10
- Spring washer 4

Installation



Designed to install by pinching the mounting panel with supplied spacers, spring washers and screws.

Cut Out Dimensions



No.	Part Name	Material	Finish / Colour
①	Body	ABS + PC	Black, Ivory
②	Spacer	Steel	Clear Zinc Chromate (Trivalent)

Part No.	Colour	W ₁	W ₂	H ₁	H ₂	H ₃	D ₁	D ₂	D ₃	P	W ₃	H ₄	Door Thickness
GHH-JS70-BL	Black	70	43	38	17	19	10.5	3	9	58	48	25	0.5 ~ 3.2
GHH-JS70-IV	Ivory												
GHH-JS90-BL	Black	90	63	44	21.5	22	11	3	78	68	31		
GHH-JS90-IV	Ivory												
GHH-JS110-BL	Black	110	82	50	24.4	26	3.5	11	96	90	36		
GHH-JS110-IV	Ivory												
GHH-JS140-BL	Black	140	109	64	34	33	11.5	3.5	126	116	48		
GHH-JS140-IV	Ivory												